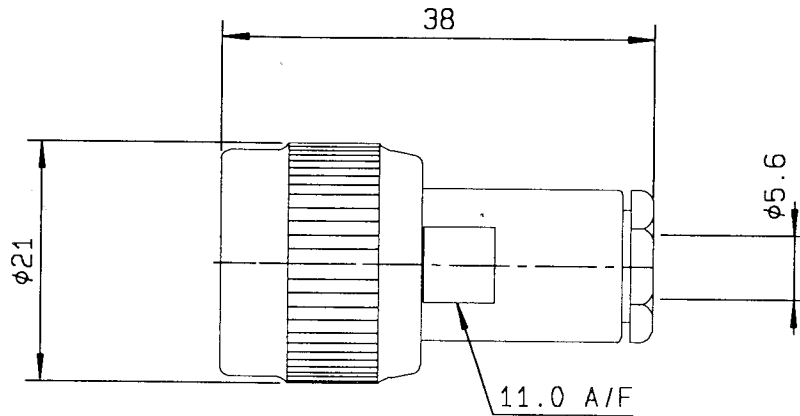


CABLE CLAMP SHOULDERS CENT. CONTACT  
CABLE 5/50

Series : HN

1 / 1



CABLES : 5/50

CHARACTERISTICS

NOMINAL IMPEDANCE	50	Ω
FREQUENCY RANGE	0 - 3	GHz
TEMPERATURE RATING	-55/+155	°C
VSWR	1.25 + 0 x F(GHz)Maxi	
RF INSERTION LOSS	NA	√F(GHz) dB Maxi
VOLTAGE RATING	NA	Vrms Max
DIELECTRIC WITHSTANDING VOLTAGE	3000	Vrms min
INSULATION RESISTANCE	NA	M Ω min
HERMETIC SEAL	-	cc/s Atm.cm3/s
LEAKAGE (pressurized only)	NA	psi MPa
WEIGHT	0	g Oz

STANDARDISATION

CABLE RETENTION	40	N
	9.00	lb min
CENTER CONTACT RETENTION		
Axial force - mating end	67	N
	15.04	lb min
Axial force - opposite end	NA	N
	0	lb min
Torque (Min)	27	cm.N
	38.2	inch.oz
RECOMMENDED TORQUES		
Mating	NA	cm.N
	0	inch.lb
Panel nut	NA	cm.N
	0	inch.lb
Clamp nut	450	cm.N
	39.82	inch.lb

CONSTRUCTION

CONNECTOR PARTS	MATERIALS	FINISH
BODY	BRASS	NICKEL
OUTER CONTACT	BERYLLIUM COPPER	GOLD
CENTER CONTACT	BERYLLIUM COPPER	GOLD
INSULATOR	PTFE	-
-	-	-
-	-	-
-	-	-
-	-	-
-	-	-

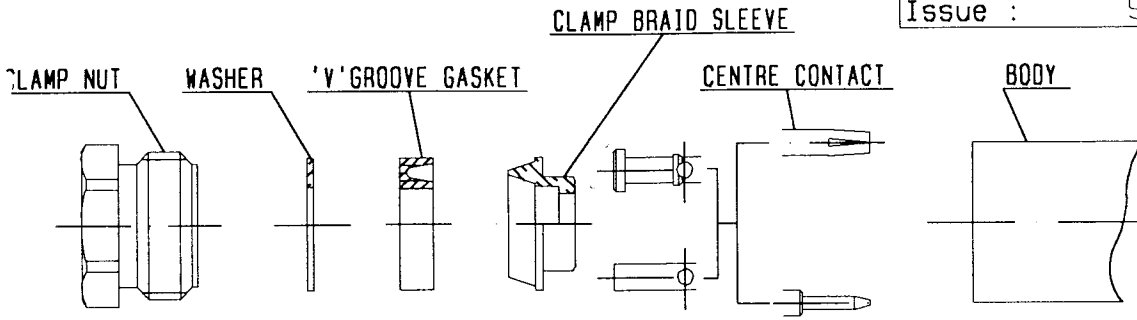
ISSUE	REVISION No	DESCRIPTION	BY	DATE

Initiated on 16/09/93

The information given here is subject to change without notice. Design changes may be in order to improve the product.



Superseded on



①

Strip the cable .

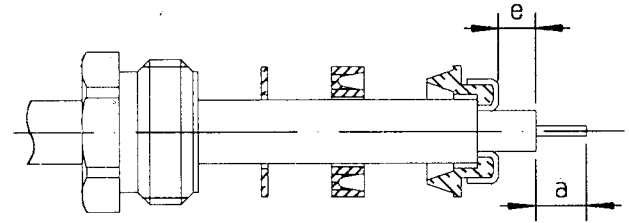
- 
- 
- 



Stripping	a	b	c	d	e
inch	0.177	0.354	0	0	0.138
mm	4.5	9	-	-	3.5

Slide the clamp nut , the washer and the 'V'groove gasket onto the cable .  
 Slide clamp braid sleeve over braid .  
 Fold back braid and trim off surplus braid .  
 Trim back dielectric as shown .

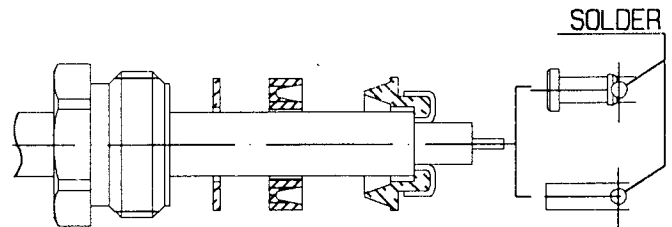
- 
- 
- 



③

Solder the cable inner conductor into centre contact .

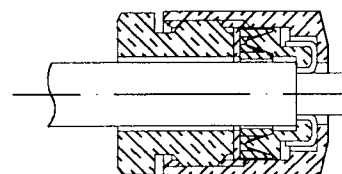
- 
- 
- 
- 



④

Screw sub-assembly into the connector body .  
 ( recommended coupling torque 450 cm.N )  
 -  
 - 39.82 inch.lb

- 



Hex. : 11/flats  
 0.433 inch